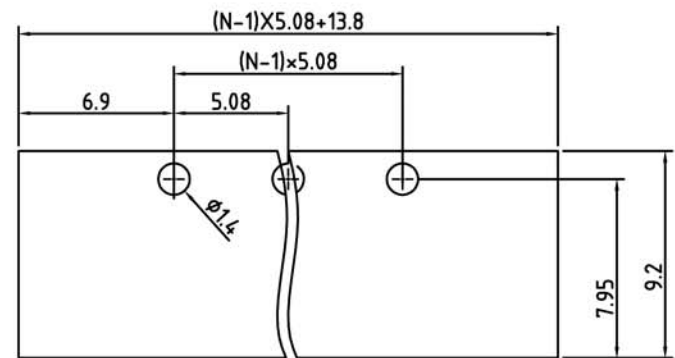
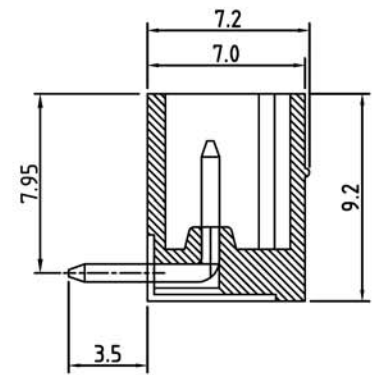
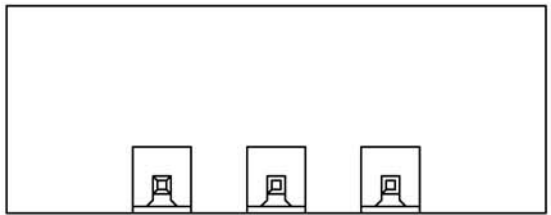
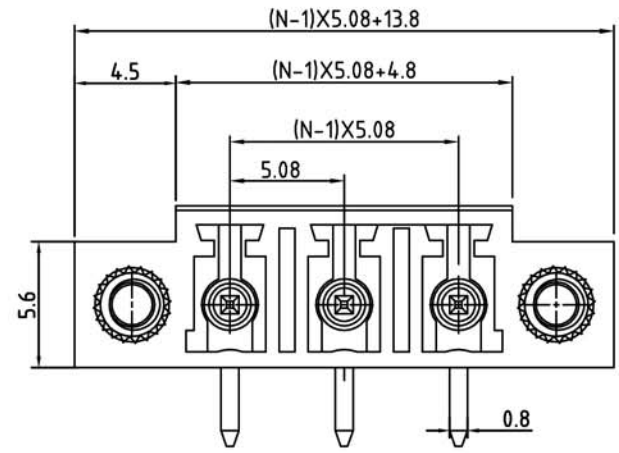


SIGN	DESCRIPTION	DATE	APPROVER
△	-----	2006,10,05	TONY



Technical Data:

Material:

- Solder Pin: Copper Alloy Tin plated
- Metal nut: Copper Alloy
- Insulator body(housing): Polyamide(Glass filled)(UL94V-0)

Electrical

- Voltage rating: 300VAC
- Current rating: 12 Amps/way max
- Withstanding Voltage: 2500VAC(1min) Test time=60sec/1pcs

Mechanical:

- Operating temperature: -40°C to +105°C
- Soldering reliability:
  - Test temperature= 250°C±10°C
  - 5 seconds max

Ordering Information:

F8 3-2-E XX 0 0 0 X 0 0 0 0

- |    |       |   |       |
|----|-------|---|-------|
| 02 | 2Pin  | 5 | Green |
| To | To    | 6 | Blue  |
| 24 | 24Pin | A | Black |
- 
- |   |      |   |            |
|---|------|---|------------|
| 1 | 180° | 0 | Open       |
| 2 | 90°  | 1 | Close      |
|   |      | 2 | Screw nut  |
|   |      | 3 | Square nut |

**WELINK** 上海拓尔普电子科技有限公司  
Welink International Co., LTD.

TOLERANCE X. ±0.50 X.X ±0.30 X.XX ±0.20 X° ±1°	APPROVED:	NAME:
	CHECKED:	F83-2 Pitch 5.08mm
	DRAWN: Liren	2016,12,10
	UNITS: mm	REV: A
	SCALE: 4 / 1	PAGE: 01 / 01
		PART NO: F832EXX022X0000
		DWG NO: 9F832E001A